

MICRO SWITCH

FREEPORT ILLINOIS, U. S. A
A DIVISION OF HONEYWELL
FED. MFG. CODE 91929

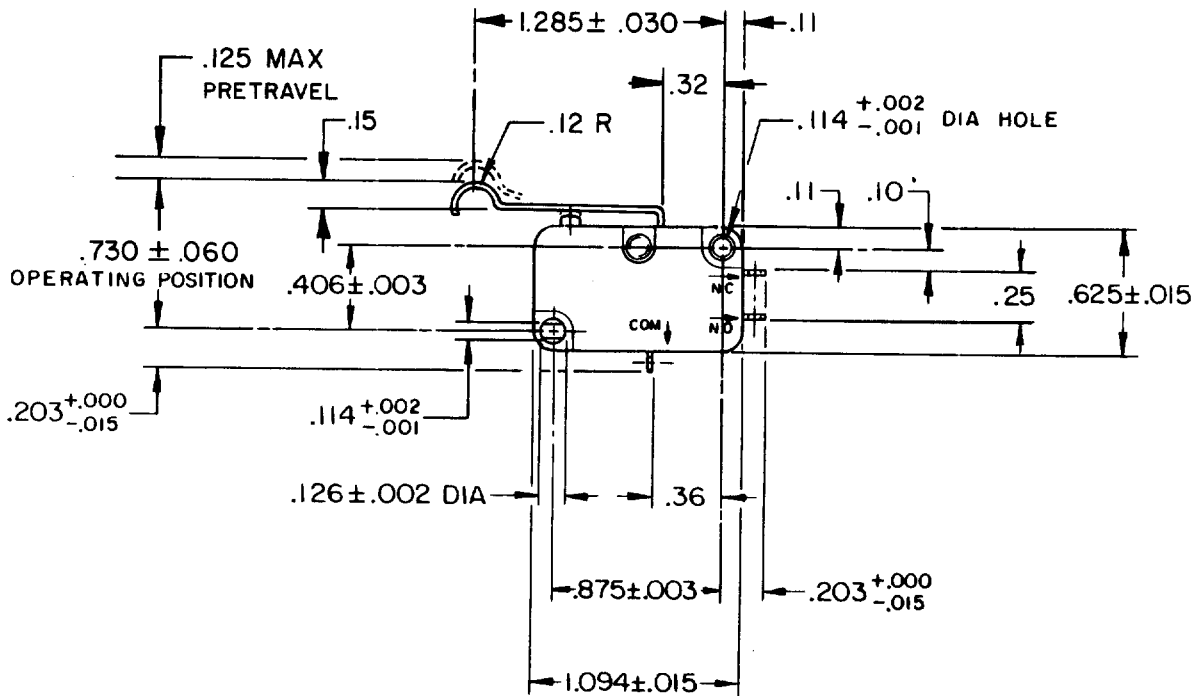
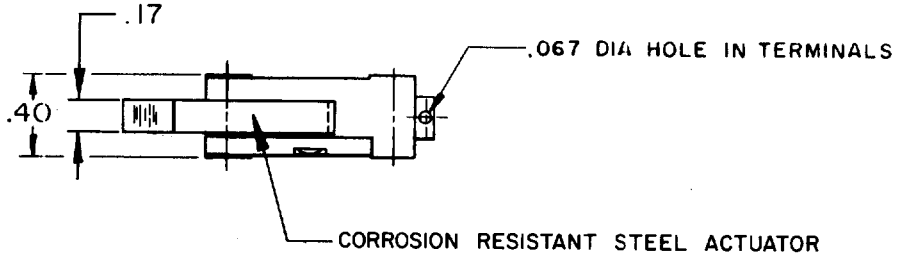
SWITCH - BASIC

CATALOG LISTING

V3L-84

S

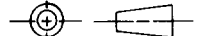
CQ-A8310



NOTE -
I - TERMINALS ARE PLATED FOR SOLDERING

THIS DRAWING COVERS A PROPRIETARY ITEM AND IS THE PROPERTY OF MICRO SWITCH, A DIVISION OF HONEYWELL. THIS DRAWING IS NOT TO BE COPIED OR USED WITHOUT THE APPROVAL OF MICRO SWITCH.

THIRD ANGLE PROJECTION



CHARACTERISTICS

OPERATING FORCE ----- 8 OZ MAX
RELEASE FORCE ----- 1 OZ MIN
DIFFERENTIAL TRAVEL ----- .032 MAX
OVERTRAVEL ----- .080 MIN
RELEASE TRAVEL ----- .015 MIN

ELECTRICAL DATA

CONTACT ARRANGEMENT
S P D T

L83
15.1A 1/2HP 125 OR 250 VAC
1/2A 125 VDC, 1/4A 250 VDC
5A 125 VAC "L"



SCALE FULL

DO NOT SCALE PRINT

TOLERANCES

APPLY TO DESIGN UNITS. CONVERSIONS ARE ONLY FOR REFERENCE. UNLESS NOTED, TOLERANCES ARE ±

| DIM. | TOL. | DIM. | TOL. |
|--------------|-------|-----------|-----------------|
| mm | mm/in | in | mm/in |
| NO PLACES | X | 1/.04 | |
| ONE PLACE | X,X | 0.4/.016 | X,X 0.8/.03 |
| TWO PLACES | X,XX | 0.15/.006 | X,XX 0.38/.015 |
| THREE PLACES | X,XXX | | X,XXX 0.13/.005 |
| ANGLES | | | |

DESIGN UNITS



US CUSTOMARY



WEIGHT

V3L-84

M

DRAWING NUMBER

8

X

ISSUE

84

REPLACES

RELEASE NO. PR-4266

CHECK

REVISIONS

| | | |
|---|---------------------|----------|
| A | CO 36287 SMA | 1 OCT 85 |
| B | CO- 69205 BAB | 3 JAN 91 |
| C | CO 76442 DCS | 2 DEC 93 |

CHECK

28 AUG 74

CHECK

74

CHECK

15

AUG

J A L

FO-52848-A

DRAWN